

INTELART

Robust in Automation

SB-T2

Analog Temperature Signal Board

Technical Manual

www.intelart.ir

08/2021

Warning notice system

This manual contains notices you have to observe in order to ensure your personal safety, as well as to prevent damage to property. The notices referring to your personal safety are highlighted in the manual by a safety alert symbol, notices referring only to property damage have no safety alert symbol. These notices shown below are graded according to the degree of danger.

DANGER
Indicates that death or severe personal injury will result if proper precautions are not taken.

WARNING
Indicates that death or severe personal injury may result if proper precautions are not taken.

NOTICE
Indicates that property damage can result if proper precautions are not taken.

Qualified personnel

The product/system described in this documentation may be operated only by personnel qualified for the specific task in accordance with the relevant documentation, in particular its warning notices and safety instructions.

Qualified personnel are those who, based on their training and experience, are capable of identifying risks and avoiding potential hazards when working with these products/systems

Contents

- 1 Technical Specifications 1
 - 1.1 Hardware Parameters 1
- 2 Wiring..... 2

1 Technical Specifications

1.1 Hardware Parameters

The following table specifies the hardware information of Signal Board.

Table 1 Hardware parameters

Functional	Available channels count	1
	Measuring type	<ul style="list-style-type: none"> • Linear DC: +/- 16 mV, +/- 32 mV, +/- 64mV +/- 128 mV, +/- 256 mV, +/- 512 mV +/- 1024 mV, +/- 2048 mV • RTD: PT100 (-200 ~ 850 °C), PT1000 (-200 ~ 600 °C) • Resistance (0 ~ 3600 Ω) • Thermocouple: K (-270 ~ 1372 °C), J (-210 ~ 1102 °C), R (-50 ~ 1768 °C), T (-270 ~ 400 °C), N (-270 ~ 1300 °C), E (-270 ~ 830 °C), B (100 ~ 1820 °C), S (-50 ~ 1760 °C), C (0 ~ 2310 °C)
	Destruction limit (Voltage)	3.3 V
	Sampling rate	500 ms
	Resolution	16 bit
	Measuring principle	Sigma-Delta
Ambient Conditions	Storage temperature	-15 to 75 °C
	Operating temperature	0 to 55 °C
	Relative humidity	Max 90 %, No Condensation

2 Wiring

The following block diagram shows you information about wiring of the Signal Board.

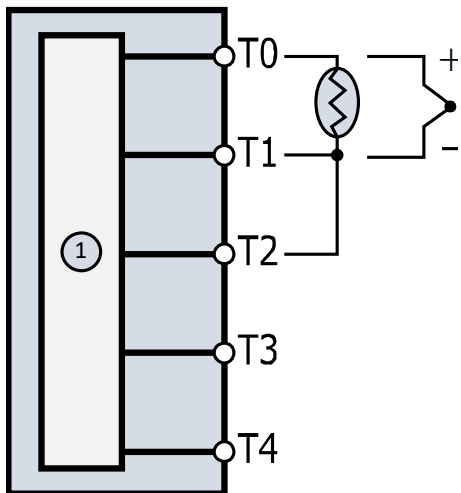


Figure 1 Wiring diagram and terminal assignments

- ① Analog Signal Board
- Tx: Analog Signal Board Terminal