

Caution



- The product/system described in this documentation may be operated only by personnel qualified for the specific task in accordance with the relevant documentation.
- Qualified personnel are those who, based on their training and experience, are capable of identifying risks and avoiding potential hazards when working with these products/systems.



- Inspect wiring of equipment before each use. Replace damaged or frayed electrical cords immediately. Use a reliable power supply.
- Minimize the potential for dust, metallic particles, water or any chemical spills on or near the equipment.
- DO NOT disassemble or modify any part of the equipment.
- DO NOT use and/or install the equipment in places with the following conditions:
 - Humidity or temperature out of the specified range
 - vibration or shock
 - dust or corrosive gas or liquid
- DO NOT touch the cords, terminals or any electric part when the equipment power is on. Wait at least one minute after the power off to assure that all capacitors are discharged.

Hardware Parameters

Performance	Processor	Arm, Cortex M4
	Bit operation	10 µs
	Word operation	10 µs
	Single Floating-point Operation	10 µs
	Double Floating-point Operation	15 µs
	CPU startup modes	Cold start, Warm start
	Configurable startup mode	Yes
Memory	Load memory	4 MB
	Application memory	80 KB
	Retentive memory	72 Bytes
	M area memory	8 KB
	I area memory	2 KB
	Q area memory	2 KB
	G area memory	8 KB
I/O Expansion	Permanent memory	16 KB
	Supported modules	31, IM3XX Series
	Max digital I/O expansion count	496
	I/O integrated in CPU	Yes, 6 DI, 4 DQ
Digital Inputs	Emergency stop trigger	Yes
	Inputs count	6
	Type of digital input	Isolated transistor (both sinking and sourcing)
	Number of inputs group	1
	Type of input voltage	DC
	Rated voltage	24 V
	For signal "0"	-30 to 11 V
	For signal "1"	12 to 30 V
	Power consumption for signal "1"	72mW
	Configurable input delay	Yes. 0, 3, 7, 15, 30, 50, 100 ms
	Input impedance	8 kΩ
	Response time from "0" to "1"	20 µs
	Response time from "1" to "0"	40 µs
	Alternate functions	Yes. Fast Counter
	Stop actions	Yes. Shut Down, Keep Last Value

For more details download digital version of this technical sheet from INTELART's website www.intelart.it/catalog

Digital Outputs	Outputs count	4	
	Type of digital output	Isolated relay	
	Rated operating voltage	24 V	
	Contact resistance	Max. 100 mΩ	
	Nominal switching capacity (resistive load)	5A 277V AC	
	Max. switching power (resistive load)	1,385 VA	
	Max. switching voltage	277V AC	
	Max. switching current	5 A	
	Insulation resistance	Min. 1,000 MΩ (at 500V DC)	
	Breakdown voltage Between open contacts	750 Vrms for 1 min	
	Breakdown voltage Between contact and coil	4,000 Vrms for 1 min	
	Delay time from "1" to "0"	Max. 10 ms	
	Delay time from "0" to "1"	Max. 10 ms	
	Max. operating speed	20 cpm	
	Device Elements	Expected life	Min. 2×10 ⁵ (5A 125V AC at rated load), Min. 10 ⁵ (5A 250V AC at rated load)
Stop action support		Yes. Shut Down, Keep Last Value, Output 1	
IEC-61131 data types		Yes	
Arrays		Yes	
Structures		Yes	
User custom data type		Yes	
Number of Tags		4096	
Number of Organization Blocks (OBs)		<ul style="list-style-type: none"> Cyclic Programs: 1 Periodic Interrupts: 1 Startup Programs: 1 Stop Programs: 1 Emergency Stop Programs: 1 Time Of Day Interrupts: 1 	
Number of functions (FCs)		16	
Number of function blocks (FBs)		8	
Engineering		Configuration / programming Software	Intelart Studio
		Programming languages	LAD, FBD
Interfaces		Number of RS-485 interfaces	1, 115200 bps
		Number of RS-232 interfaces	1, 115200 bps
		Programming port	USB
Power	Voltage range	18 - 30V	
	Current range	300 - 700mA	
Ambient Conditions	Storage temperature	-15 to 75 °C	
	Operating temperature	0 to 55 °C	
	Relative humidity	Max 90 %, No Condensation	
Miscellaneous	Weight	Approx. 900g	
	Led indications	Yes. POWER, RUN, FAULT	
	Backup battery lifetime	5 Years typical	

Digital Inputs

All digital inputs have a configuration for the input delay. The default value of the input delay is 0ms. The input delay is applicable to eliminate the bouncing effect of a mechanical switch. The inputs of the module have no alternate function.

Fast Counter

The first three channels can be used as a fast counter when a group alternate function sets as Fast Counter.

Digital Outputs

The outputs of the module have no alternate function.

Stop action

Each output channel has a property named "StopAction" which determines the act of channel when PLC state changes to stop mode.

■ Address Space

The value of input channels and output channels and some configurations will be accessible via an address space. There are a bunch of predefined mapped tags in order to read or write a value in the address space. The following table illustrates the type and purpose of each mapped tag.

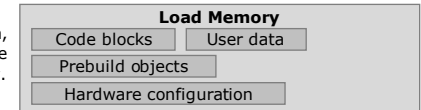
Category	Name	Data Type	Address	Function
Input Space (I)				
Digital Inputs	DI00 ⋮ DI05	BOOL	%I0.0 ⋮ %I0.5	Gets the value of channel when its alternative function is set to "None"
	DI00_05	BYTE	%IB0	A wrapper to get all digital input channel values as a byte
Fast Counter	FastRegI00 ⋮ FastRegI02	UINT	%IW2 ⋮ %IW6	Gets the value of channel 00-02 fast counter
	POT1	USINT	%IB14	Gets the current value of Potentiometer 1
POTs	POT2	USINT	%IB15	Gets the current value of Potentiometer 2
	Output Space (Q)			
Digital Outputs	DQ00 ⋮ DQ03	BOOL	%Q0.0 ⋮ %Q0.3	Sets or gets the value of channel when its alternative function is set to "None"
	DQ00_03	BYTE	%QB0	A wrapper to set or get all digital output channel values as a byte

■ Memory Storages

This device uses several memory storages for different purposes. Each storage has a specific duty and should be considered by user.

Load memory

The load memory is a non-volatile memory for code blocks, user data, prebuild objects, media objects and hardware configuration. When these objects are downloaded to the CPU they are first saved into load memory. This memory is located on the device itself.



Application memory

The application memory is a volatile memory that contains the code and data structures. The application memory is integrated into the CPU and cannot be extended or moved. This memory also contains runtime-relevant parts of the program code.

Retentive memory

Retentive memory is a non-volatile memory for saving a limited quantity of data in the event of power failure. The tags that have been defined as retain are saved in retentive memory. These data is retained beyond a power-off or power failure. All other program tags are lost under these conditions and are set to their default values upon the operating mode transitions POWER ON to startup, and STOP to startup.

The content of retentive memory is deleted by the following actions:

- Memory reset because of a Cold Start
- Backup battery removal

NOTE

The low voltage in the backup battery causes the device to run in Cold Start mode.

M area memory

The M area memory is a volatile memory that contains all tags defined in external tag tables with an address starting by '%M' notation. This area mostly uses for communication protocols between devices such as Modbus, CAN etc. or some cases that a memory overlapping procedure is needed. Also this memory is usable for general programming.

I and Q area memory

The I and Q area memory is a volatile memory that contains all tags defined in external tag tables with an address starting by '%I' and '%Q' notation respectively. This area contains the values of all input/output areas of connected modules or the CPU itself. Addressing of I and Q area tags is a bit different from M area tags. All I and Q area tags address starts by a number that indicates the physical address of that area.

%I(Q) **Physical address** . **Tag address**

Example: the second digital input in the first module will be %I0.0.1 that indicates first module → second bit in first input byte. After the device is configured, in programming software > Plant Explorer > Device Configuration window all installed modules will be accessible.

Each module has a list that contains all I and Q tags with their physical address. By double click on the selected module the tags description list will be opened. There is a wizard in the list that can create all needed tags with their absolute address in an external tag table.

NOTE

In cases where the device has input area the CPU index will be 0 and modules index will be started by 1.

G area memory

The G area memory is a volatile memory that contains tags with different features from M area memory. These tags define in a global tag table (such as Default Tag Table) and can start with a user specified default value. There is no need to assign an address for a tag that defined in this area. The compiler calculates the correct address in compile time for G area and retained tag storages. Any tag of any data type in a global tag table can be marked as Retain. The retain tags value will be stored in retentive storage. Constant tags store in G area and their values never change after downloading program to the CPU.

Permanent memory

The permanent memory is a storage space for using in applications that need to keep the value of tags permanently and not be

NOTE

1- Any change in retain storage arrangement such as add/remove a retain tag or changing default value of a retain tag will be caused a Cold Start at the next startup of device after downloading user program to the CPU.

2- All defined tags in M, I and Q areas will start by IEC-61131 default values on a CPU start until the user program or CPU change those tag values.

erased even on a Cold Start condition. Reading from or writing to this memory is different because of its EEPROM nature. There is an instruction in order to read from or write to this memory. You can write any type of data on this memory and read them back again.

WARNING

Writing on this memory cells is guaranteed until one million times. Use this memory only for saving configurations, important data or any type of data that does not need to be write frequently. For example, if the scan time of the CPU is 20 ms and a value was saved once per scan, the EEPROM would last a minimum of 20,000 seconds, which is less than 6 hours. On the other hand, if a value were saved once an hour, the EEPROM would last a minimum of 114 years. Typically, you should perform save operations at the occurrence of specific events that occur rather infrequently.

■ Communications

RS-485

This device provides a single RS-485 port for connection to the network. The maximum length of a network segment is determined by two factors:

Isolation (using an RS-485 repeater) and baud rate.

Isolation is required when you connect devices at different ground potentials. Different ground potentials can exist when grounds are physically separated by a long distance. Even over short distances, load currents of heavy machinery can cause a difference in ground potential.

Supported baud rates for the RS-485 port can vary from 1200 to 115200 b/s.

RS-232

This device provides a single RS-232 port for general purposes. Supported baud rates for the RS-232 port can vary from 1200 to 115200 b/s.

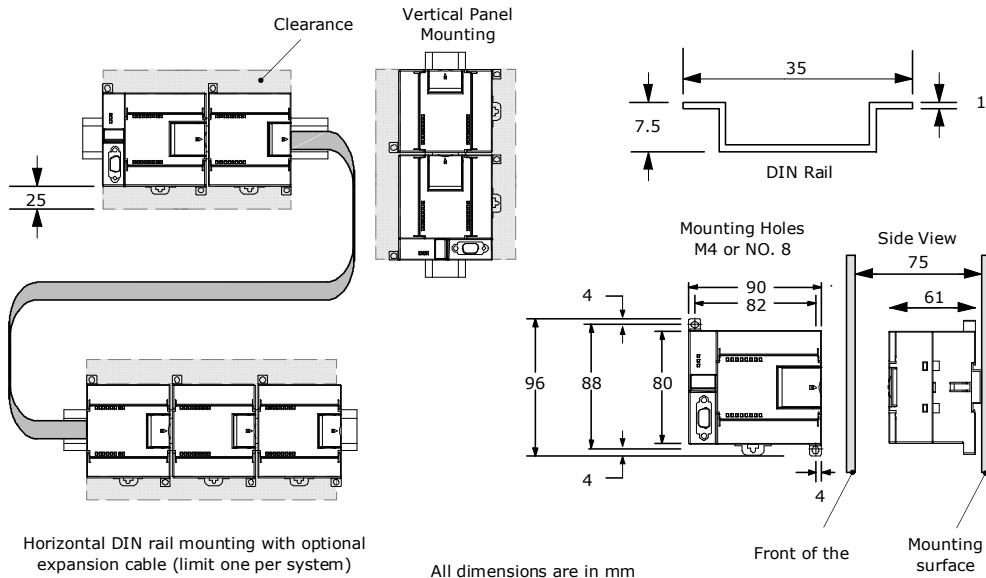
■ Diagnostic

There is 3 LED indicating the status of the device. The following table explains the states of the LED.

LED			Indicating	Solution
POWER	RUN	FAULT		
☐ Off	☐ Off	☐ Off	Power missing or hardware failure.	Check the main power supply Verify that the module is installed correctly
■ On	★ Flashes	☐ Off	The CPU is in transient to run mode and is configuring its modules.	—
■ On	■ On	☐ Off	The CPU is configured and is in RUN mode.	—
■ On	—	■ On	Indicates an error (communication error, configuration error etc.)	Verify that the module is installed correctly Check the type of error by Intelart Studio

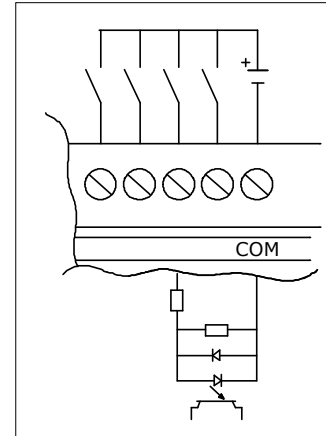
■ Dimensional Drawing

The dimensions of the module are available in this section. For install the module and its main device follow the below dimensional drawing.

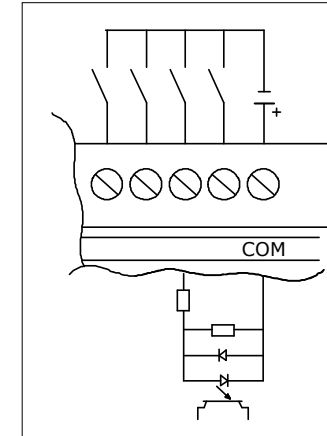


■ Wiring

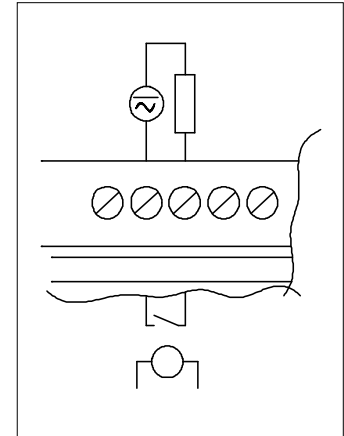
The following block diagram shows you information about wiring of the device.



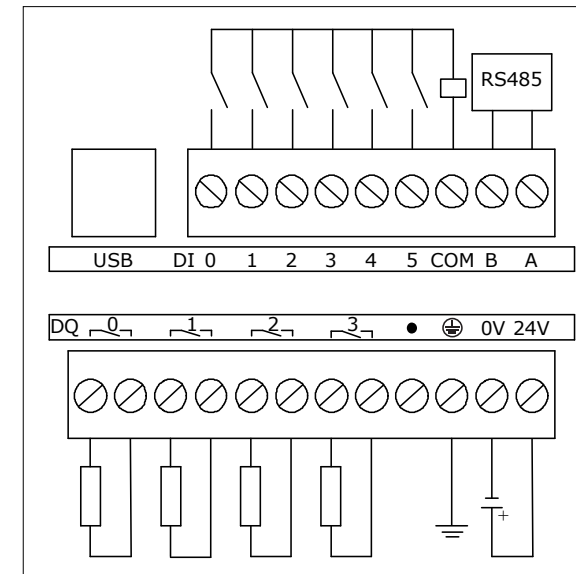
24 VDC Sinking Inputs Diagram



24 VDC Sourcing Inputs Diagram



Relay Outputs Diagram



Wiring Sample

COM Port 0	Pin	Description
1	1	Not applicable
2	2	RS-232 TXD
3	3	RS-232 RXD
4	4	Not applicable
5	5	Ground
6	6	Not applicable
7	7	Not applicable
8	8	Not applicable
9	9	Not applicable

■ Installing a CPU or an Expansion Module

In order to panel or rail mounting, follow the below steps.

DIN Rail Mounting

1. Secure the rail to the mounting panel every 75 mm.
2. Snap open the DIN clip (located on the bottom of the module) and hook the back of the module onto the DIN rail.
3. If you are using an expansion module, connect the expansion module ribbon cable into the expansion port connector under the access door.
4. Rotate the module down to the DIN rail and snap the clip closed. Carefully check that the dip has fastened the module securely onto the rail. To avoid damage to the module, press on the tab of the mounting hole instead of pressing directly on the front of the module.

Panel Mounting

1. Locate, drill, and tap the mounting holes (M4 or American Standard number 8), using the dimensions in previous section.
2. Secure the module(s) to the panel, using the appropriate screws.
3. If you are using an expansion module, connect the expansion module ribbon cable into the expansion port connector under the access door.

Removing a CPU or Expansion Module

1. Remove power from the CPU.
2. Disconnect all the wiring and cabling that is attached to the module.
3. If you have expansion modules connected to the unit that you are removing, open the access cover door and disconnect the expansion module ribbon cable from the adjacent modules.
4. Unscrew the mounting screws or snap open the DIN clip.
5. Remove the module.

NOTE

Using DIN rail stops could be helpful if your device is in an environment with high vibration potential or if the device has been installed vertically. If your system is in a high-vibration environment, then panel-mounting the device will provide a greater level of vibration protection.

■ Guidelines for Grounding and Wiring

Proper grounding and wiring of all electrical equipment is important to help ensure the optimum operation of your system and to provide additional electrical noise protection for your application and the device.

Prerequisites

Before you ground or install wiring to any electrical device, ensure that the power to that equipment has been turned off. Also, ensure that the power to any related equipment has been turned off. Ensure that you follow all applicable electrical codes when wiring the device and related equipment. Install and operate all equipment according to all applicable national and local standards. Contact your local authorities to determine which codes and standards apply to your specific case.

WARNING

Attempts to install or wire the device or related equipment with power applied could cause electric shock or faulty operation of equipment. Failure to disable all power to the device and related equipment during installation or removal procedures could result in death or serious injury to personnel, and/or damage to equipment.

Always follow appropriate safety precautions and ensure that power to the device is disabled before attempting to install or remove the device or related equipment.

Always take safety into consideration as you design the grounding and wiring of your PLC system. Electronic control devices, such as the CPU, can fail and can cause unexpected operation of the equipment that is being controlled or monitored. For this reason, you should implement safeguards that are independent of the CPU to protect against possible personal injury or equipment damage.

WARNING

Control devices can fail in an unsafe condition, resulting in unexpected operation of controlled equipment. Such unexpected operations could result in death or serious injury to personnel, and/or damage to equipment.

Use an emergency stop function, electromechanical overrides, or other redundant safeguards that are independent of the PLC.

Guidelines for Isolation

INTELART AC power supply boundaries and I/O boundaries to AC circuits have been designed and approved to provide safe separation between AC line voltages and low voltage circuits. These boundaries include double or reinforced insulation, or basic plus supplementary insulation, according to various standards. Components which cross these boundaries such as optical couplers, capacitors, transformers, and relays have been approved as providing safe separation. Isolation boundaries which meet these requirements have been identified in those product data sheets as having 1500VAC or greater isolation. This designation is based on a routine factory test of (2Ue + 1000VAC) or equivalent according to approved methods.

The sensor supply output, communications circuits, and internal logic circuits of a PLC with included AC power supply are sourced as SELV (safety extra-low voltage) according to EN 61131--2. These circuits become PELV (protective extra-low voltage) if the sensor supply M, or any other non-isolated M connection to the device is connected to ground. Other device M connections which may ground reference the low voltage are designated as not isolated to logic on specific product data sheets. Examples are RS485 communications port M, analog I/O M, and relay coil power M.

To maintain the SELV / PELV character of the PLC low voltage circuits, external connections to communications ports, analog circuits, and all 24V nominal power supply and I/O circuits must be powered from approved sources that meet the requirements of SELV, PELV, Class 2, Limited Voltage, or Limited Power according to various standards.

WARNING

Use of non-isolated or single insulation supplies to supply low voltage circuits from an AC line can result in hazardous voltages appearing on circuits that are expected to be touch safe, such as communications circuits and low voltage sensor wiring. Such unexpected high voltages could result in death or serious injury to personnel, and/or damage to equipment. Only use high voltage to low voltage power converters that are approved as sources of touch safe, limited voltage circuits.

Guidelines for Grounding the PLC

The best way to ground your application is to ensure that all the common and ground connections of your device and related equipment are grounded to a single point. This single point should be connected directly to the earth ground for your system.

For improved electrical noise protection, it is recommended that all DC common returns be connected to the same single-point earth ground. Connect the 24 VDC sensor supply common (M) to earth ground.

All ground wires should be as short as possible and should use a large wire size, such as 2 mm² (14 AWG).

When locating grounds, remember to consider safety grounding requirements and the proper operation of protective interrupting devices.

Guidelines for Wiring the PLC

When designing the wiring for your PLC, provide a single disconnect switch that simultaneously removes power from the CPU power supply, from all input circuits, and from all output circuits. Provide overcurrent protection, such as a fuse or circuit breaker, to limit fault currents on supply wiring. You might want to provide additional protection by placing a fuse or other current limit in each output circuit.

Install appropriate surge suppression devices for any wiring that could be subject to lightning surges.

Avoid placing low-voltage signal wires and communications cables in the same wire tray with AC wires and high-energy, rapidly switched DC wires. Always route wires in pairs, with the neutral or common wire paired with the hot or signal-carrying wire.

Use the shortest wire possible and ensure that the wire is sized properly to carry the required current. The connector accepts wire sizes from 2 mm² to 0.3 mm² (14 AWG to 22 AWG). Use shielded wires for optimum protection against electrical noise.

Typically, grounding the shield at the PLC gives the best results. When wiring input circuits that are powered by an external power supply, include an overcurrent protection device in that circuit. External protection is not necessary for circuits that are powered by the 24 VDC sensor supply from the device because the sensor supply is already current-limited.

To prevent loose connections, ensure that the wire is installed securely into the connector. To avoid damaging the connector, be careful that you do not over-tighten the screws. The maximum torque for the connector screw is 0.56 N-m (5 inch-pounds).

Guidelines for Inductive Loads

NOTE

For a communications network, the maximum length of the communications cable is 50 m without using a repeater. Some communications port on this device is non-isolated. Refer to technical data for more information.

You should equip inductive loads with suppression circuits to limit voltage rise when the control output turns off. Suppression circuits protect your outputs from premature failure due to high inductive switching currents. In addition, suppression circuits limit the electrical noise generated when switching inductive loads.

NOTE

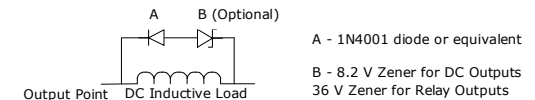
The effectiveness of a given suppression circuit depends on the application, and you must verify it for your particular use. Always ensure that all components used in your suppression circuit are rated for use in the application.

DC Outputs and Relays That Control DC Loads

The DC outputs have internal protection that is adequate for most applications. Since the relays can be used for either a DC or an AC load, internal protection is not provided.

The figure shows a sample suppression circuit for a DC load.

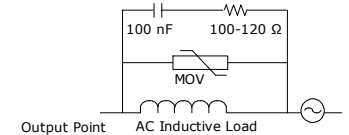
In most applications, the addition of a diode (A) across the inductive load is suitable, but if your application requires faster turn-off times, then the addition of a Zener diode (B) is recommended. Be sure to size your Zener diode properly for the amount of current in your output circuit.



AC Outputs and Relays That Control AC Loads

The AC outputs have internal protection that is adequate for most applications. Since the relays can be used for either a DC or an AC load, internal protection is not provided.

The figure shows a sample suppression circuit for an AC load. When you use a relay or AC output to switch 115V/230V AC loads, place resistor/capacitor networks across the AC load as shown in this figure. You can also use a metal oxide varistor (MOV) to limit peak voltage. Ensure that the working voltage of the MOV is at least 20% greater than the nominal line voltage.



WARNING

When relay expansion modules are used to switch AC inductive loads, the external resistor/capacitor noise suppression circuit must be placed across the AC load to prevent unexpected machine or process operation. See the above Figure.

Guidelines for Lamp Loads

Lamp (Resistive) loads are damaging to relay contacts because of the high turn-on surge current. This surge current will nominally be 10 to 15 times the steady state current for a Tungsten lamp. A replaceable interposing relay or surge limiter is recommended for lamp loads that will be switched a large number of times during the lifetime of the application.